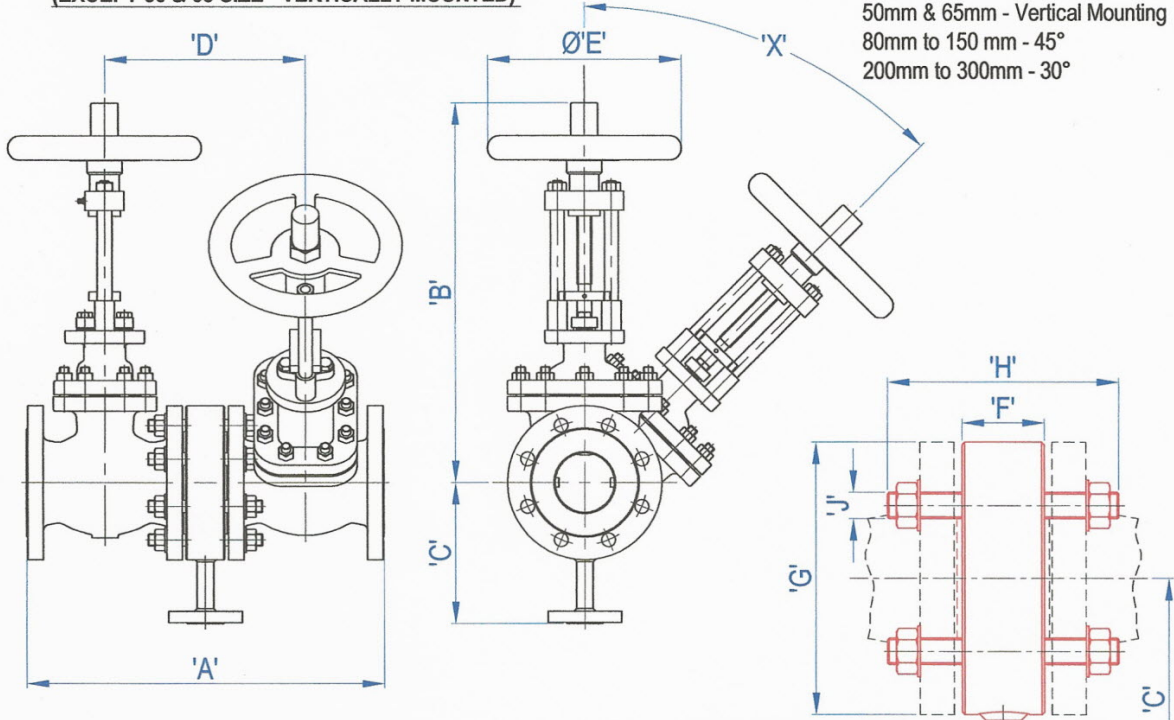


# FIG 650DBB CAST STEEL DOUBLE BLOCK & BLEED UNIT PN16 RATING - SIZES 50mm to 300mm

**FIG. 650DBB PN16 INDEX MOUNTED OPTION  
(EXCEPT 50 & 65 SIZE - VERTICALLY MOUNTED)**



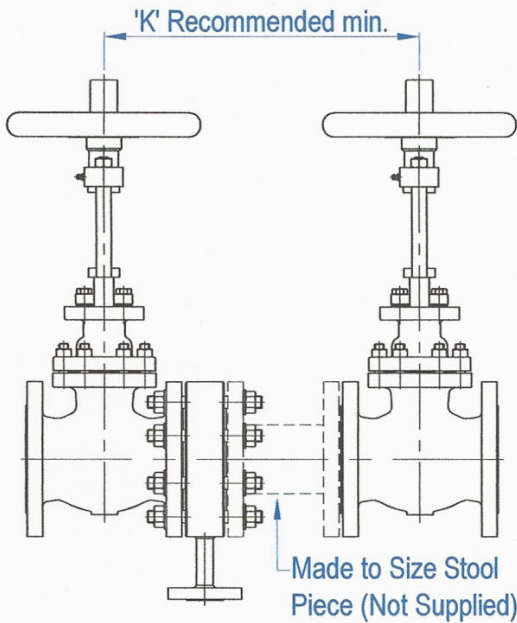
Angle 'X':  
 50mm & 65mm - Vertical Mounting  
 80mm to 150 mm - 45°  
 200mm to 300mm - 30°

Refer to Fig. 650DBB PN40 data sheet for specification details

**FIG. 640 PN16 BLEED FLANGE  
WITH DRAIN OUTLET**

PN16 Rated, Sizes 50mm to 300mm  
 Body Material - Carbon Steel to BS EN 10028 161 - 430.

**FIG. 650DBB PN16 VERTICALLY MOUNTED OPTION - USING  
MADE TO SIZE STUOL PIECE - SUPPLIED BY CUSTOMER**



ALL DIMENSIONS ARE IN mm.  
 WEIGHTS ARE APPROXIMATE.

Fig. 640 PN16 Bleed Flange

SIZE	50	65	80	100	125	150	200	250	300
A	412	436	462	514	564	590	640	716	768
B	370	431	490	580	743	810	1012	1250	1454
C	165	175	182	200	217	235	252	285	312
D	234	246	259	285	310	323	348	386	412
E	200	200	250	315	400	400	530	530	530
F	50	50	50	50	50	50	50	50	50
G	165	185	200	235	270	305	340	405	460
H	150	150	150	160	160	170	180	190	200
J	M16	M16	M16	M16	M16	M20	M20	M24	M24
K	n/a	n/a	330	395	480	480	610	610	610
WGT. (kg)	50	65	80	100	125	150	200	250	300
650DBB	47	60	75	105	168	200	310	495	778
640	9	10	11	15	20	23	25	31	37