

FIG 280DBB CAST STEEL GLOBE DOUBLE BLOCK & BLEED UNIT PN16 RATING - SIZES 50mm to 250mm

Fig 640 PN16 Bleed Flange								
SIZE	50	65	80	100	125	150	200	250
A	565	617	667	769	869	971	1123	1315
B	285	321	324	394	460	553	678	780
C	165	175	182	200	217	235	252	285
D	311	337	362	413	463	514	590	686
E	200	200	200	250	315	400	530	530
F	50	50	50	50	50	50	50	50
G	165	185	200	235	270	305	340	405
H	150	150	150	160	160	170	180	200
J	M16	M16	M16	M16	M16	M20	M20	M24
WGT. (kg)	50	65	80	100	125	150	200	250
280DBB	55	72	87	133	206	293	455	711
640	9	10	11	15	20	23	25	31

All dimensions are in mm. Weights are approximate.

**THESE VALVES SHOULD BE INSTALLED
WITH THE VALVE HEAD VERTICAL**

FIG. 640 PN16 BLEED FLANGE WITH DRAIN OUTLET
(supplied with blanking flange)

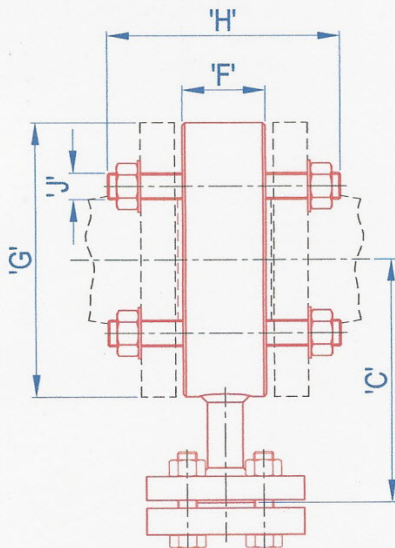


Fig. 280 globe valves are supplied to PN16 rating. Valves can be supplied PN40 rated (refer to PN40 data sheet). Details of other flange ratings supplied upon request.

The Fig. 640 bleed flange is an approved seal welded assembly, consisting of the body, extension tube and Ø15mm PN16-40 flange (or as specified by Customer) in certified carbon steel, B7 tie-rods with 2H nuts and 2 spiral wound graphite filled gaskets (suitable for use on steam).

15mm fig. 280 PN40 rated cast steel globe stop valve is available as a drain valve upon request, replacing the standard blanking flange.

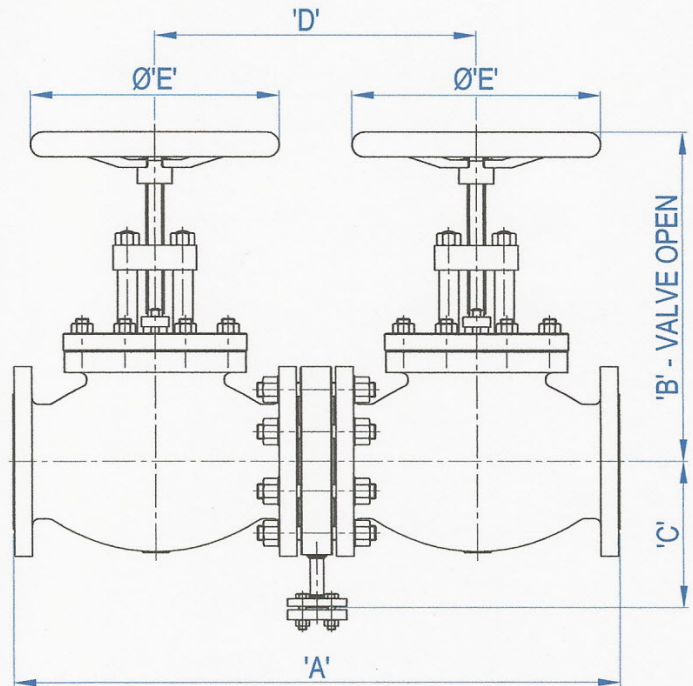
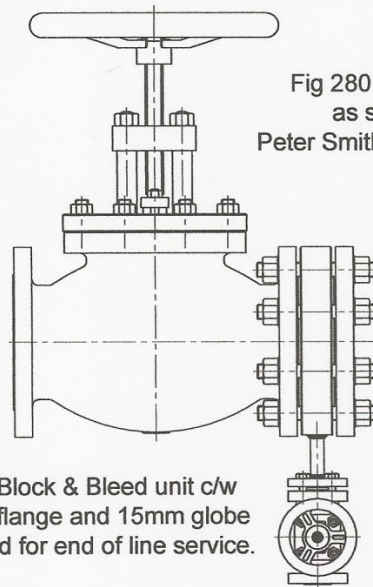


Fig 280 globe valve details are as stated in the current Peter Smith Valve Co. Ltd catalogue.



Double Block & Bleed unit c/w blanking flange and 15mm globe valve used for end of line service.

Additional Fig. 640 Bleed Flanges are available for fitting downstream from the Double Block & Bleed unit assembly to assist drainage of the system and to verify the closure of both of the double isolation valves or for end of line service (as shown)