

# CAST STEEL PARALLEL SLIDE VALVE

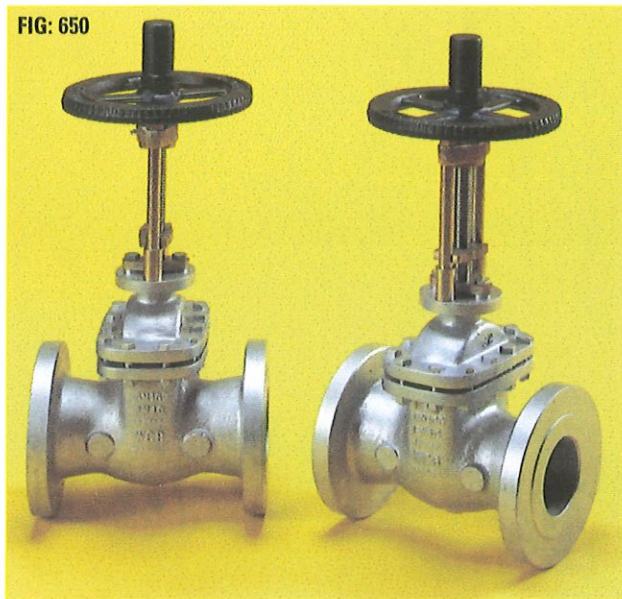


FIG: 650

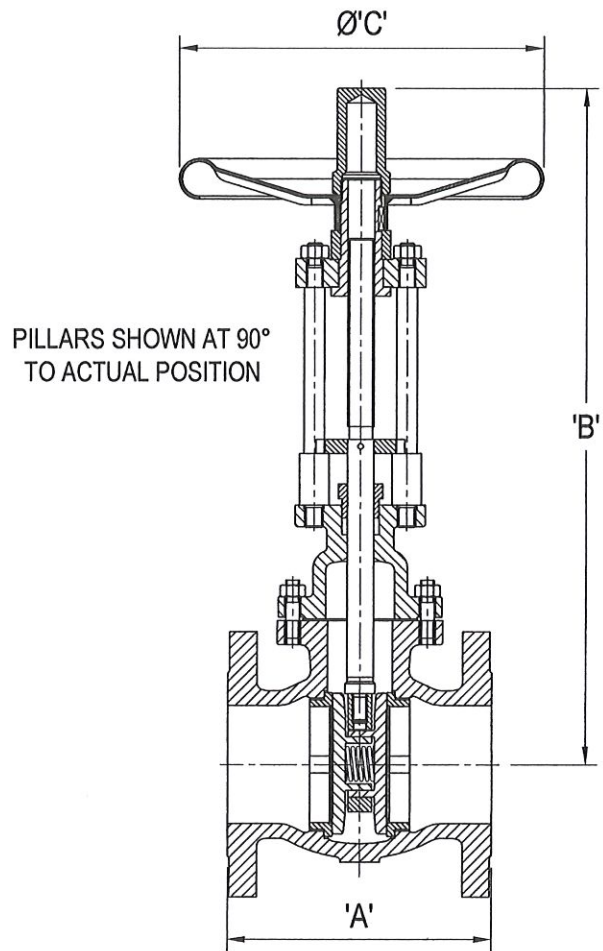


FIG No. 650

**PRESSURE / TEMPERATURE RATING:**

In accordance with BSI, BS EN 1984 (Formally BS 5157) and ANSI specifications.  
For the line flange connection required, refer to the Pressure Temperature Rating Chart in the Technical Data Section of our website.

**FLANGED:**

BS EN 1092-1 PN10, PN16, PN25, PN40.  
BS 10 Tables E, F, H.  
ANSI B16.5 Class 150, Class 300.

**CONSTRUCTION:**

The gland incorporates pre-compressed pure exfoliated graphite under controlled compression, with facility for adjustment, giving improved sealing and reduced maintenance.  
The valve is fitted with a backseating device to further protect the gland packing when fully open.  
Seats and doors are made of our special TDA58 nickel based alloy developed for high galling resistance.  
Valves 200mm bore and above incorporate thrust bearings to reduce torque.

**OPTIONAL EXTRAS:**

- Positive open / shut indication.
- Locking device.
- Drain plug and / or bypass.
- Actuator operation.
- Gearbox and remote operation.

**MATERIALS:**

Body / Cover Carbon steel BS EN 10213 gr. GP240GH (WCB) 0.23%C max.  
Seat Rings / Doors TDA58 copper nickel silicon alloy  
Stem Stainless steel to BS EN 10088-3 1.4057  
Gland Packing Exfoliated graphite

Nominal Size	50	65	80	100	125	150	200	250	300	
A	PN 16	178	190	203	229	254	267	292	330	356
	PN 25/40	216	241	283	305	381	403	419	457	502
	ANSI 150	178	190	203	229	254	267	292	330	356
	ANSI 300	216	241	283	305	381	403	419	457	502
B	368	431	490	580	743	810	1012	1250	1454	
C	200	200	250	315	400	400	530	530	530	
Wgt. Kg.	ANSI 300	22	28	38	53	89	109	181	302	470
	PN 16	19	25	32	45	74	88	142	232	370

**TYPE OF APPLICATION:**

Isolation.

**LINE MEDIA:**

- Wet / saturated steam.
- High temperature hot water.
- Medium temperature hot water.
- Low temperature hot water.
- Cold 'clean' water.