

CAST IRON DOUBLE REGULATING VALVE

FIG: BV 203

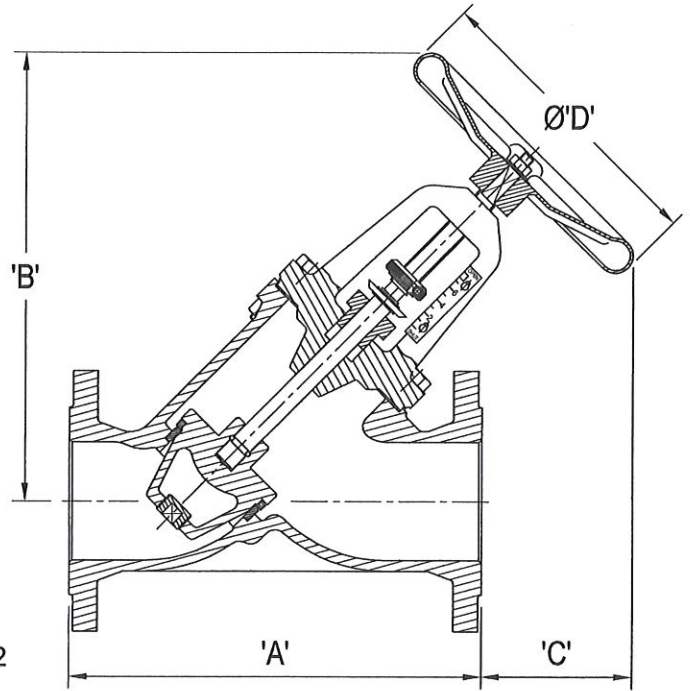
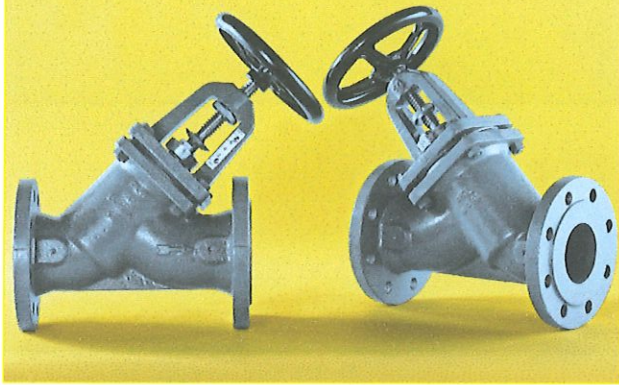


FIG No. BV203

PRESSURE / TEMPERATURE RATING:

In accordance with BSI, BS EN 13789 (Formally BS 5152 complies with BS 7350) and ANSI specifications. For the line flange connection required, refer to the Pressure Temperature Rating Chart in the Technical Data Section of our website.

Max. temp. 180°C - restricted use.

FLANGED:

BS EN 1092-2 PN16.

CONSTRUCTION:

Valves will be supplied fitted with regulating disc, double regulating device and indicator. Flanges will be drilled unless otherwise specified on order.

COMMISSIONING VALVE OPTIONS:

Fixed orifice metering station BV 411 available for coupling as a commissioning set. Available as BV 223 fitted with test points for variable orifice flow measurement and regulation.

MATERIALS:

Body / Bonnet	Cast iron to BS EN 1561 EN GJL 250
Seat Ring	Stainless steel type 316
Disc Facing Ring	Stainless steel type 316
Stem	High tensile brass to BS EN 12164 CW 721 R
Gland Packing	Exfoliated graphite
Gasket	Exfoliated reinforced graphite

FLOW FACTOR:

Refer to Doc. SD1-20 for KV and KV_s.

TYPE OF APPLICATION:

Fluid regulation.
Heating systems.

LINE MEDIA:

High temperature hot water.
Medium temperature hot water.
Low temperature hot water.
Cold 'clean' water.

Nominal Size	65	80	100	125	150	200
A	290	310	350	400	480	598
B	315	340	418	512	604	966
C (Open)	110	138	175	195	211	460
D (Open)	200	200	250	315	400	530
Weight Kg	20	25	36	60	91	153