

BRONZE (GUNMETAL) DOUBLE REGULATING VALVE

FIG: BV 307

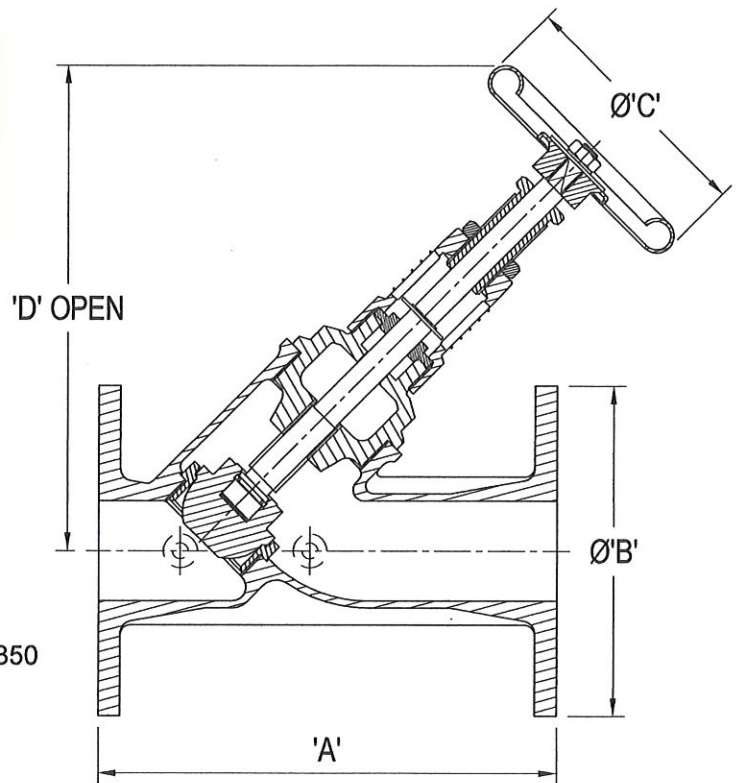


FIG No. BV307

PRESSURE / TEMPERATURE RATING:

In accordance with BSI, BS 5154 complies with BS 7350 and ANSI specifications.

For the line flange connection required, refer to the Pressure Temperature Rating Chart in the Technical Data Section of our website.

FLANGED:

BS EN 1092-3 PN25.

CONSTRUCTION:

Valves will be supplied fitted with regulating disc, double regulating device and indicator. Flanges will be drilled unless otherwise specified on order.

COMMISSIONING VALVE OPTIONS:

Fixed orifice metering station BV 412 available for coupling as a commissioning set. Available as BV 327 fitted with test points for variable orifice flow measurement and regulation.

MATERIALS:

Body / Bonnet Gunmetal BS EN 1982 CC491K
 Disc / Seat Ring Stainless steel type 316
 Stem High tensile brass to BS EN 12164 CW 721 R
 Gland Packing Exfoliated graphite

FLOW FACTOR:

Refer to Doc. SD1-20 for KV and KVs.

TYPE OF APPLICATION:

Fluid regulation.
 Heating systems.
 Heating and ventilation systems.

LINE MEDIA:

Wet / saturated steam.
 Condensate.
 High temperature hot water.
 Medium temperature hot water.
 Low temperature hot water.
 Cold 'clean' water.

Nominal Size	15	20	25	32	40	50
A	130	150	160	180	200	230
B	95	105	115	140	150	165
C	100	100	100	125	125	160
D (Open)	140	155	165	215	240	270
Weight Kg	2	3	3.5	5.5	7	10