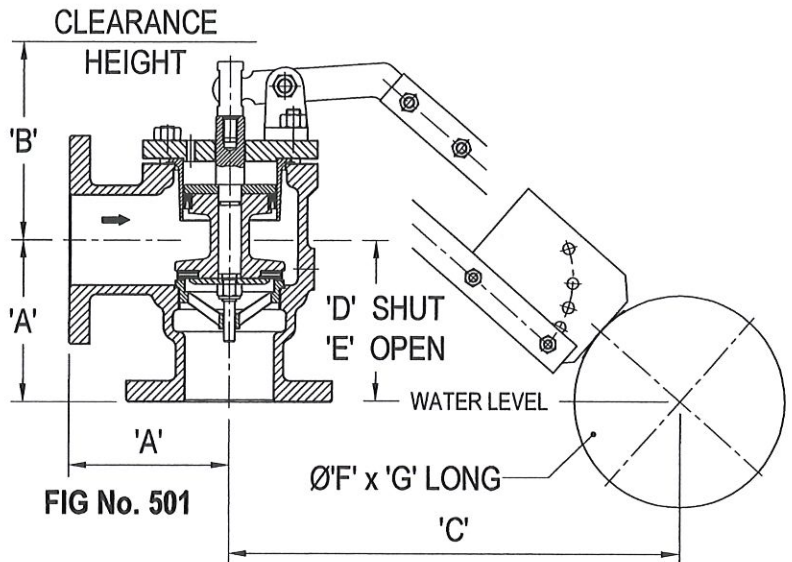
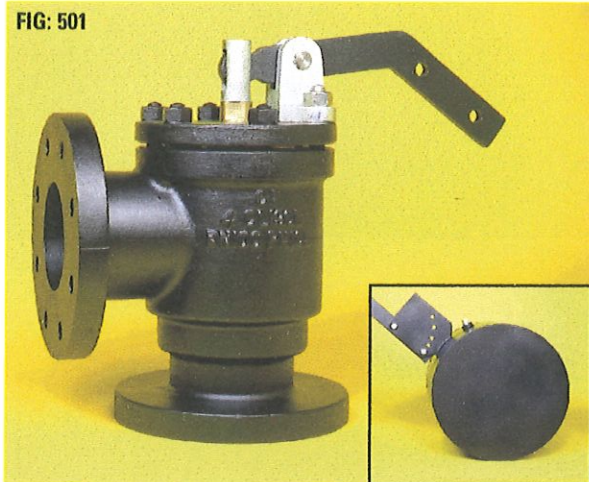


CAST IRON EQUILIBRIUM BALL FLOAT VALVE

WRAS APPROVED



PRESSURE / TEMPERATURE RATING:

50mm - 300mm Temp.
10 Bar 23°

FLANGED: BS 10 Table 'F'

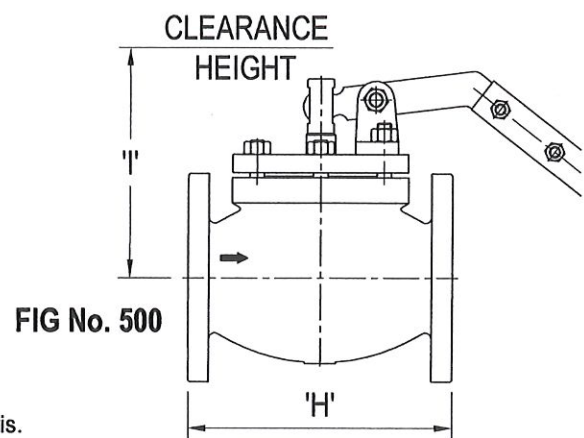
DRILLED:
BS EN 1092-2 PN10, PN16.
BS 10 Tables D, E, F.
ANSI B16.1 Class 125.

CONSTRUCTION:

Bolted cover plate to protect seal and cylinder from the ingress of debris.
Maintenance is simplified by easily replaceable piston seal and steel reinforced renewable rubber disc.
Adjustable float for optimum water level control.
The valves are supplied with line flanges to BST 'F' diameter. Unless otherwise instructed the inlet flange will be drilled to match the flange specified on order.
The outlet flange will not be drilled unless ordered.

MATERIALS:

Body / Cover Cast iron to BS EN 1561 EN GJL 250 (with Rilsan nylon coating)
Seat Ring and Cylinder Gunmetal to BS EN 1982 CC491K
Disc EPDM rubber bonded to steel reinforcing plate
Piston Seal EPDM rubber
Float Tough Rilsan nylon coating heat-fused to steel



APPROVAL:

Range : 50mm - 200mm only
WRAS Water Regulations
Advisory Scheme.

TYPE OF APPLICATION:

Reservoir / water storage tank infill.

LINE MEDIA:

Water.
Potable water.

Nominal Size	A	B	C	D	E	F	G	H	I	Flow J	Capacity K	L	Wgt. Kg.
50	125	165	1090	436	700	305	203	203	203	6	78	160	22
80	155	190	1100	560	860	305	292	241	248	14.2	187	160	33
100	178	228	1295	610	1040	356	305	292	267	24.7	326	170	52
150	229	280	1467	760	1284	457	356	356	279	55.7	735	200	96
200	248	305	1714	960	1570	508	356	495	445	98.5	1300	220	146
250	311	381	1950	930	1750	508	356	622	445	175	2300	220	270
300	350	483	2250	1060	2170	508	356	698	483	260	3400	220	311

Note:

Dimension 'D' conforms to WRC requirements for minimum height above water level byelaw no. 11 type 'A' air gap
Due to HIGH LEVER RATIOS, dimension 'D' is subject to a tolerance of +/- 10%.
It is recommended that the flow velocity should not exceed 3m/s (10f/s) giving a maximum flow of: J litres/sec, K gall/min.