

# CAST IRON GLOBE STOP VALVE

FIG: 181

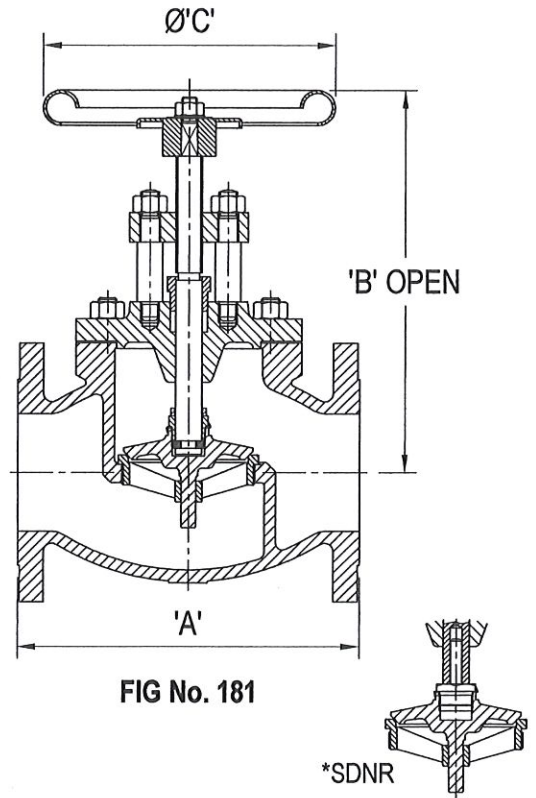


FIG No. 181

**PRESSURE / TEMPERATURE RATING:**

In accordance with BSI, BS EN 13789 ( Formally BS 5152) and ANSI specifications.

For the line flange connection required, refer to the Pressure Temperature Rating Chart in the Technical Data Section of our website.

**Max. temp. 180°C - restricted use.**

**FLANGED:**

BS EN 1092-2      PN6, PN10, PN16.  
 BS 10 Tables      D, E, F.  
 ANSI B16.1      Class 125.

**CONSTRUCTION:**

Valves will be supplied as stop valves screw lift (S/L) as illustrated unless specified combined stop and non-return (SDNR) as shown\*.

**These valves should be installed with the Valve Head vertical.**

Bolted cover, outside screw and rising stem.

Flanges will be drilled unless otherwise specified on order.

**MATERIALS:**

Body / Cover      Cast iron to BS EN 1561 EN GJL 250  
 Disc / Seat Ring      Gunmetal to BS EN 1982 CC491K  
 Stem      High tensile brass to BS EN 12164 CW 721 R  
 Gland Packing      Exfoliated graphite  
 Alternative trim available: stainless steel.

**OPTIONAL EXTRAS:**

Open and shut indicator  
 Locking device.

**TYPE OF APPLICATION:**

Isolation.

**LINE MEDIA:**

High temperature hot water.  
 Medium temperature hot water.  
 Low temperature hot water.  
 Cold 'clean' water.

Nominal Size	25	32	40	50	65	80	100	125	150	200
A	160	180	200	203	216	241	292	330	356	495
B	213	213	213	243	283	302	351	442	533	640
C	160	160	160	200	200	200	250	315	400	530
Weight Kg.	9	10	12	17	19	27	38	56	77	157