

# GUNMETAL GLOBE STOP VALVE

FIG: 133

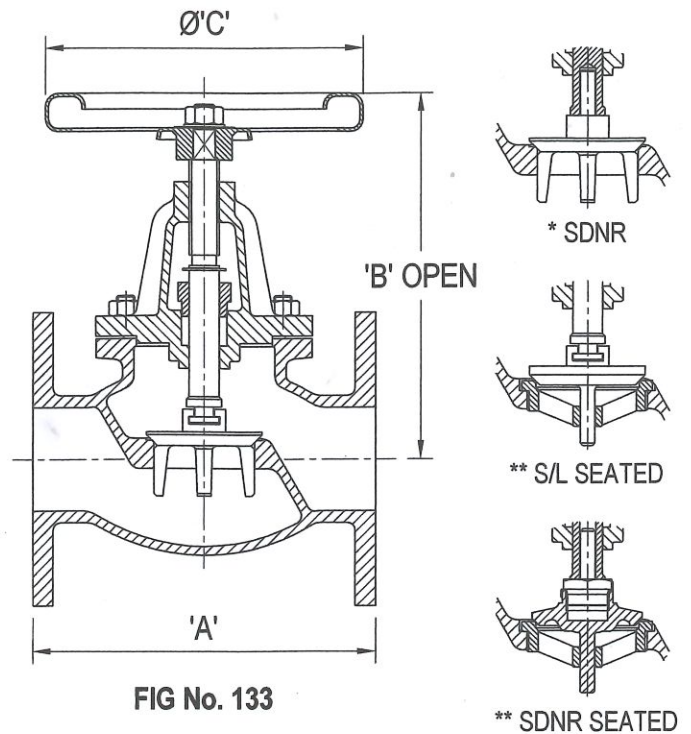


FIG No. 133

## PRESSURE / TEMPERATURE RATING:

In accordance with BSI, BS 5154 & ANSI specifications. For the line flange connection required, refer to the Pressure Temperature Rating Chart in the Technical Data Section of our website.

## FLANGED:

BS EN 1092-3      PN6, PN10, PN16, PN25.  
BS 10 Tables      D, E, F, H.  
ANSI B16.24      Class 150.

## CONSTRUCTION:

Valves will be supplied as stop valves screw lift (S/L) as illustrated unless specified combined stop and non-return (SDNR) as shown\*. **These valves should be installed with the Valve Head vertical.** Bolted cover, integral seat, outside screw and rising stem. Supplied with an open / shut indicator as standard. Valves are fitted with a back seating stem. Valves can be supplied with gunmetal or stainless screwed seat as shown \*\* if specified on order. Flanges will be drilled unless otherwise specified on order.

## MATERIALS:

Body / Bonnet      Gunmetal to BS EN 1982 CC491K  
Disc                  Gunmetal to BS EN 1982 CC491K  
Stem                  High tensile brass to BS EN 12164 CW 721 R  
Gland Packing      Exfoliated graphite  
Alternative trim available: stainless steel.

## OPTIONAL EXTRAS:

Locking device.

## TYPE OF APPLICATION:

Isolation.  
Fluid non-return (SDNR).

## LINE MEDIA:

Wet / saturated steam.  
Condensate.  
High temperature hot water.  
Medium temperature hot water.  
Low temperature hot water.  
Cold 'clean' water.

Nominal Size	15	20	25	32	40	50	65	80	100
A	108	117	127	146	159	190	216	254	305
B	166	166	194	200	207	236	243	264	324
C	125	125	125	125	160	160	200	200	250
Weight Kg	5	5	7	8	9	13	17	22	36